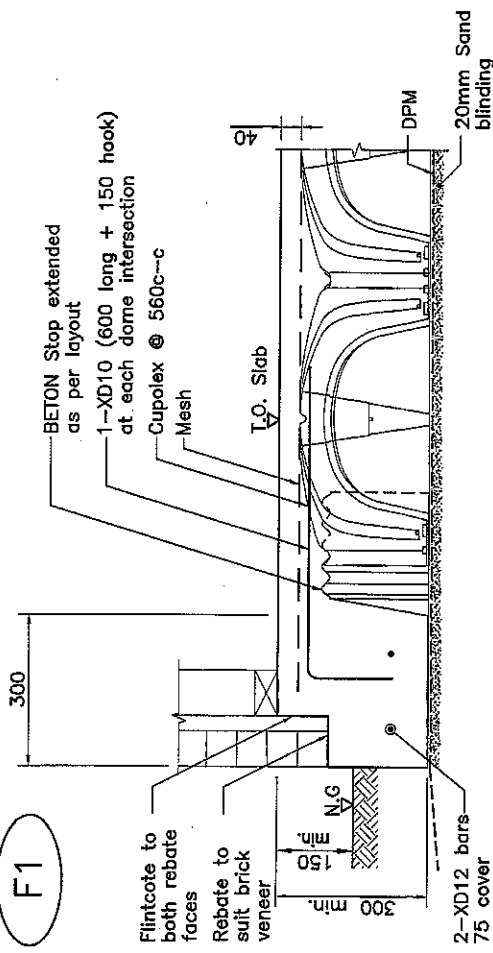
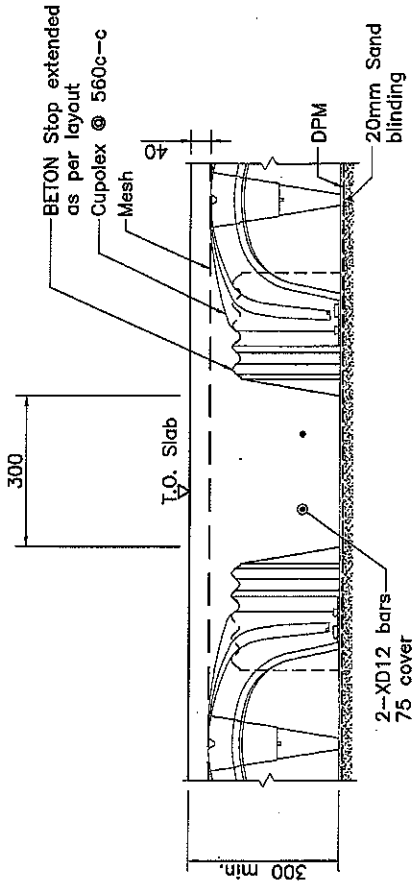


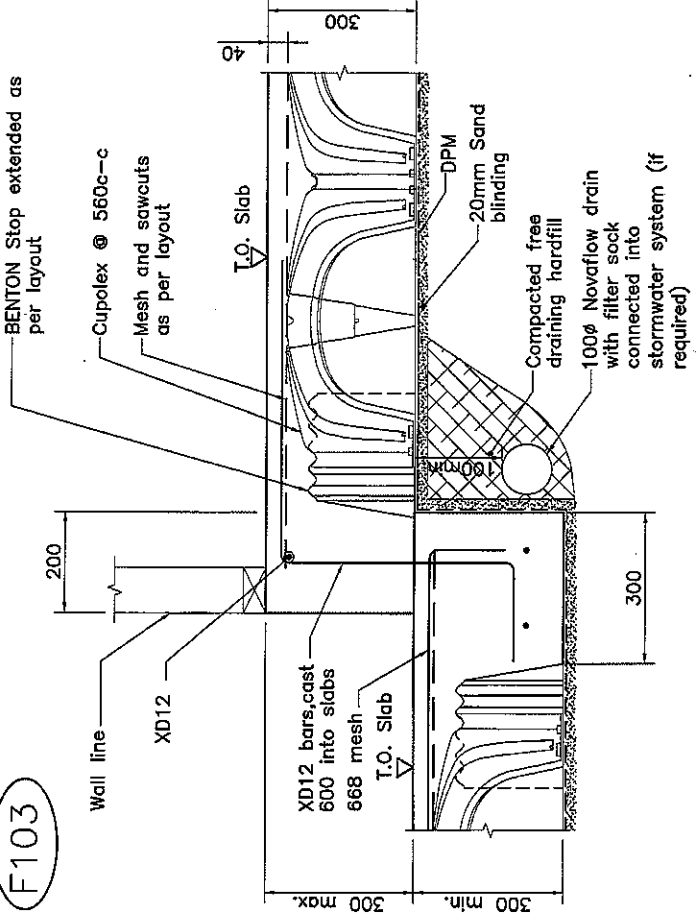
F1



F20



F103



HFC : FOUNDATIONS LTD
 CIVIL & STRUCTURAL ENGINEERS
 LEVEL 9, 18 MORRAN STREET PO BOX 109 108
 NEWMARKET AUCKLAND NEW ZEALAND
 T: 09 887 1000 F: 09 357 1071 E: SOLUTIONS@HFC.CO.NZ

PRODUCED BY



DRAWING TITLE:
**CUPOLEX SLAB
 FOUNDATION DETAILS**

JOB No: [REDACTED]
 SHEET: **S101**
 DRAWN: **A.G.**
 DATE: [REDACTED]
 REVISION: **0**
 SCALE: **1:10**