

NOTES:

Allowable bearing pressure = 100kPa
 Dependable bearing pressure = 150kPa

Refer to Architects Drawings for all setout dimensions, recesses and service positions

Internal slab thickenings and pad foundations to be accurately set out using the Architects drawings
DO NOT SCALE FROM THIS DRAWING

Foundations and slab to be 20Mpa (min)
 Foundations and slab to be 25Mpa (min) in sea spray zone

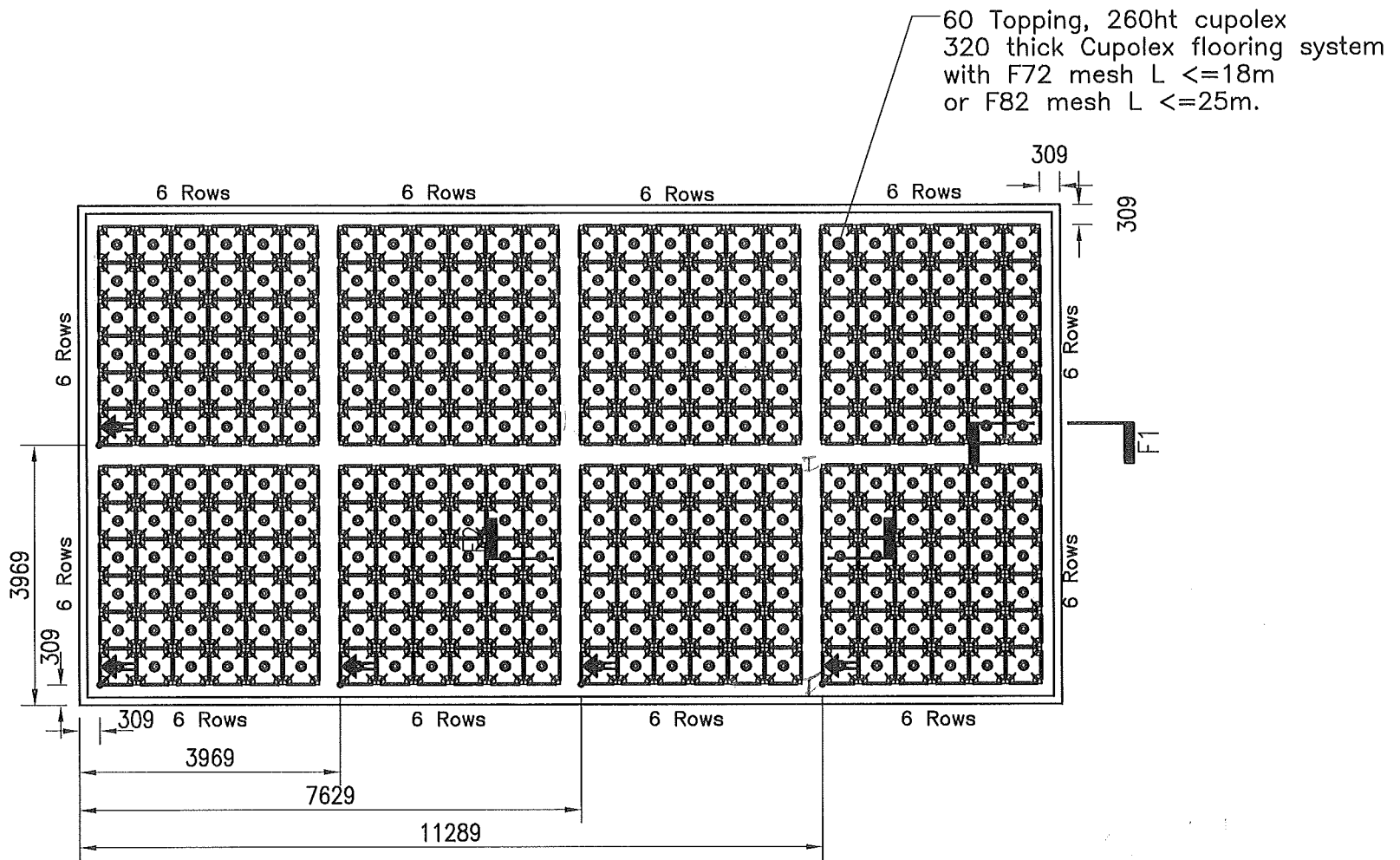
Cover:
 Cast against and permanently exposed to earth = 75mm
 Within Ribs: Side cover = 40mm

Surface Finishes:
 Concealed work = F1
 Exposed edges of foundation = F5
 Floor slab = U3+


MESH
 F72 Mesh L <= 18m
 F82 Mesh L <= 25m

Reinforcing:

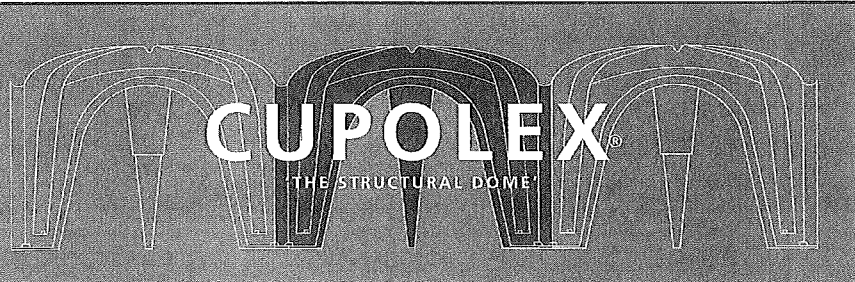
SYMBOL	TYPE
R	Plain bars grade 500E to AS4671
N	Deformed bars grade 500E to AS4671



M1 OR M2:
 300 WIDE x 320 DEEP
 RIBS - 3660c/c MAX.

 **Start Dome**
 Left to Right Then Top to Bottom

QUANTITIES :
 Total Floor area = 114 m²
 Total Perimeters = 45.12 m
 No. off Cupolex H26 = 288
 No. Beton stops = 0
 Concrete volume = 20.07 m³
 (Excluding piles, brick veneer rebates including 15% site tolerance)



PROJECT:
M1-MODERATELY Ys<30mm
M2-MODERATELY 30<Ys<40mm

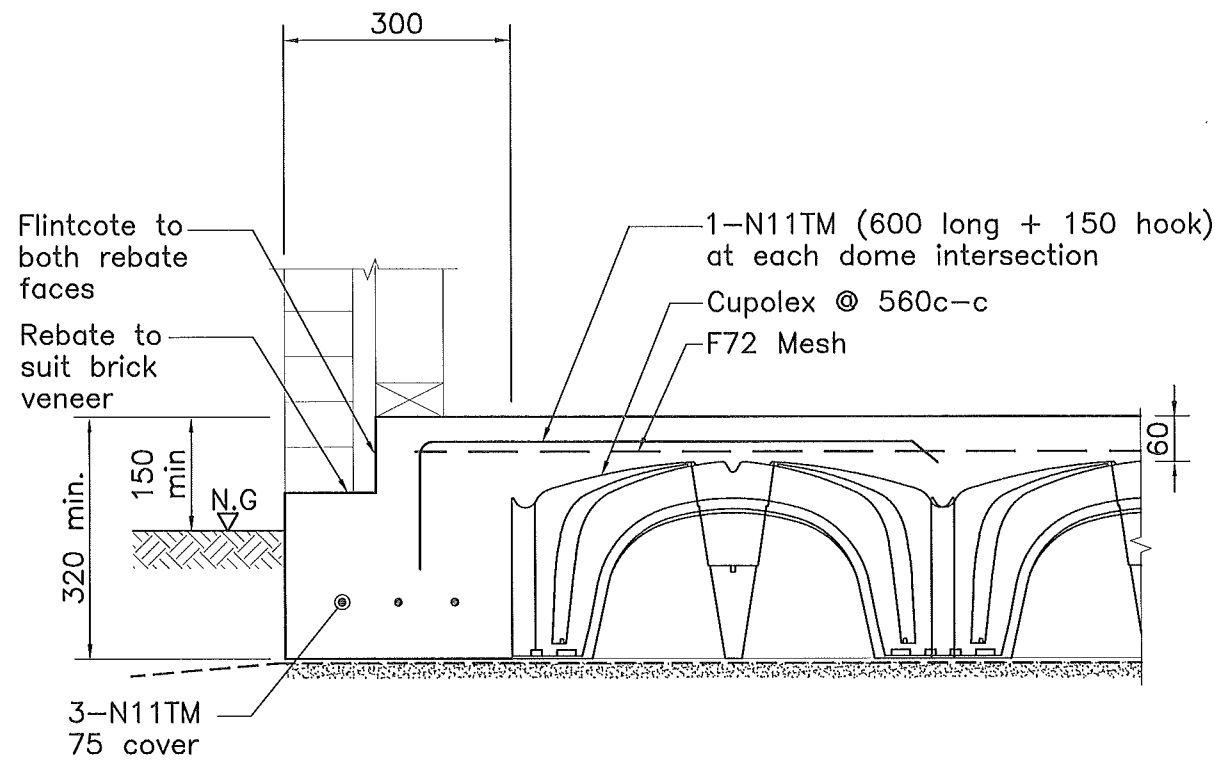
DRAWING TITLE:
CUPOLEX SLAB
FOUNDATION LAYOUT

JOB No:
C-----
 DRAWN:
K.P.

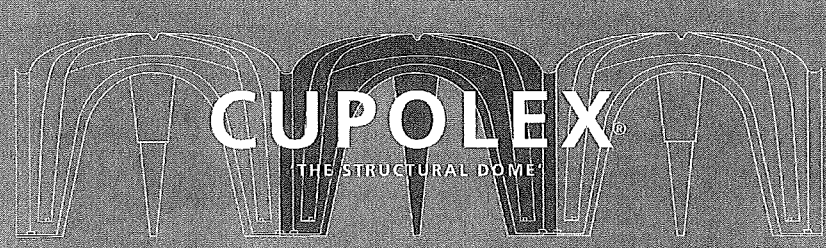
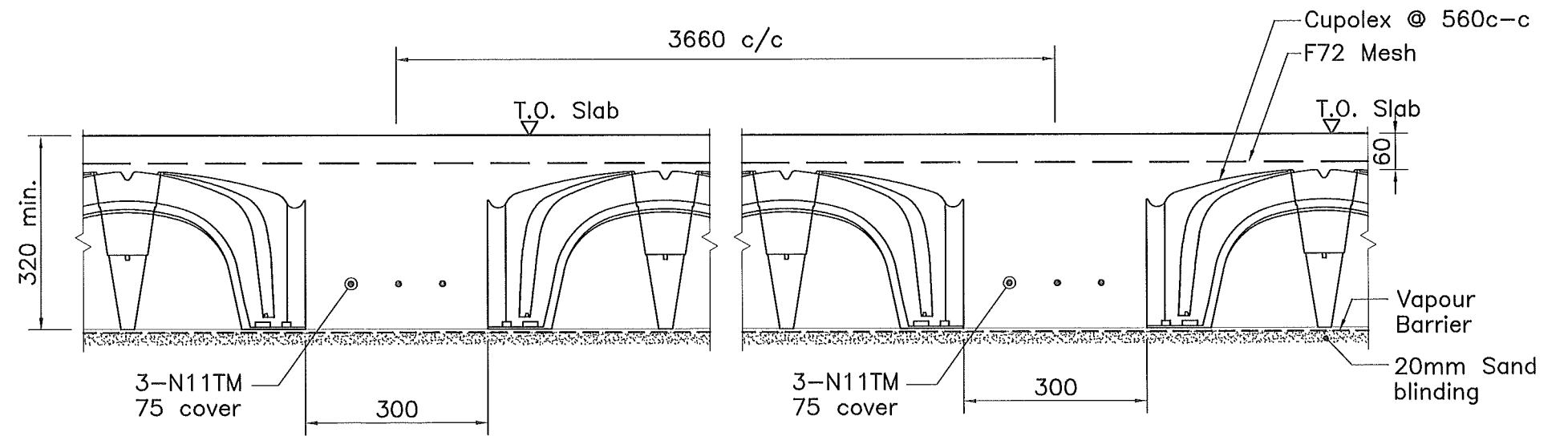
SHEET:
S100
 DATE:
30/11/10

REVISION:
0
 SCALE:
1:100

F1



F2



PROJECT:
M1-MODERATELY $Y_s < 30\text{mm}$
M2-MODERATELY $30 < Y_s < 40\text{mm}$

DRAWING TITLE:
CUPOLEX SLAB
FOUNDATION DETAILS

JOB No:
C-*****
 DRAWN:
K.P.

SHEET:
S101
 DATE:
30/11/10

REVISION:
0
 SCALE:
1:100

NOTES:

Allowable bearing pressure = 100kPa
 Dependable bearing pressure = 150kPa

Refer to Architects Drawings for all setout dimensions, recesses and service positions

Internal slab thickenings and pad foundations to be accurately set out using the Architects drawings
DO NOT SCALE FROM THIS DRAWING

Foundations and slab to be 20Mpa (min)
 Foundations and slab to be 25Mpa (min) in sea spray zone

Cover:

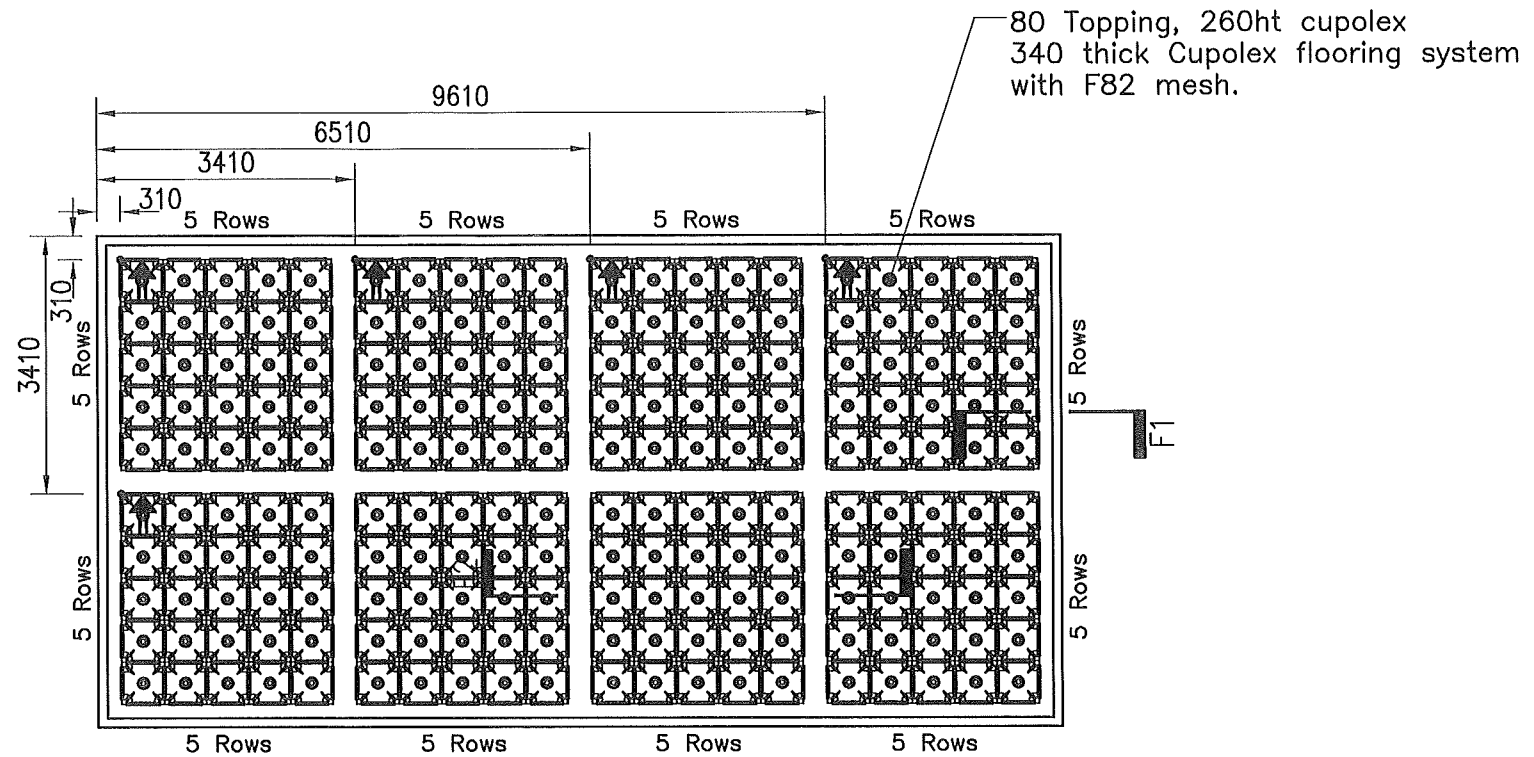
Cast against and permanently exposed to earth = 75mm
 Within Ribs: Side cover = 40mm

Surface Finishes:

Concealed work = F1
 Exposed edges of foundation = F5
 Floor slab = U3+

Reinforcing:

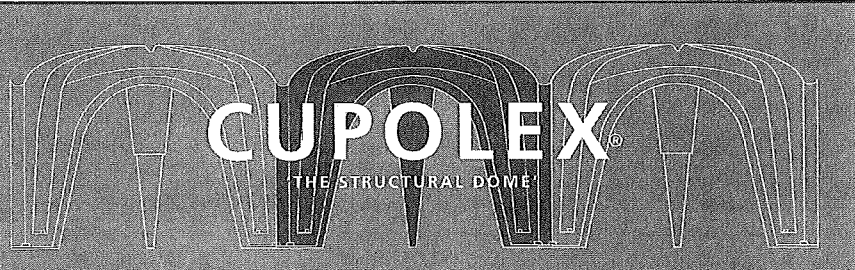
SYMBOL	TYPE
R	Plain bars grade 500E to AS4671
N	Deformed bars grade 500E to AS4671



HIGHLY EXPANSIVE H1:
 300 WIDE x 340 DEEP
 RIBS - 3100c/c MAX.

Start Dome
 Left to Right Then Top to Bottom

QUANTITIES :
 Total Floor area = 83 m²
 Total Perimeters = 38.40 m
 No. off Cupolex H26 = 200
 No. Beton stops = 0
 Concrete volume = 16.89 m³
 (Excluding piles, brick veneer rebates including 15% site tolerance)



PROJECT:
STANDARD DESIGN
 HIGHLY H1 40< Ys<50mm

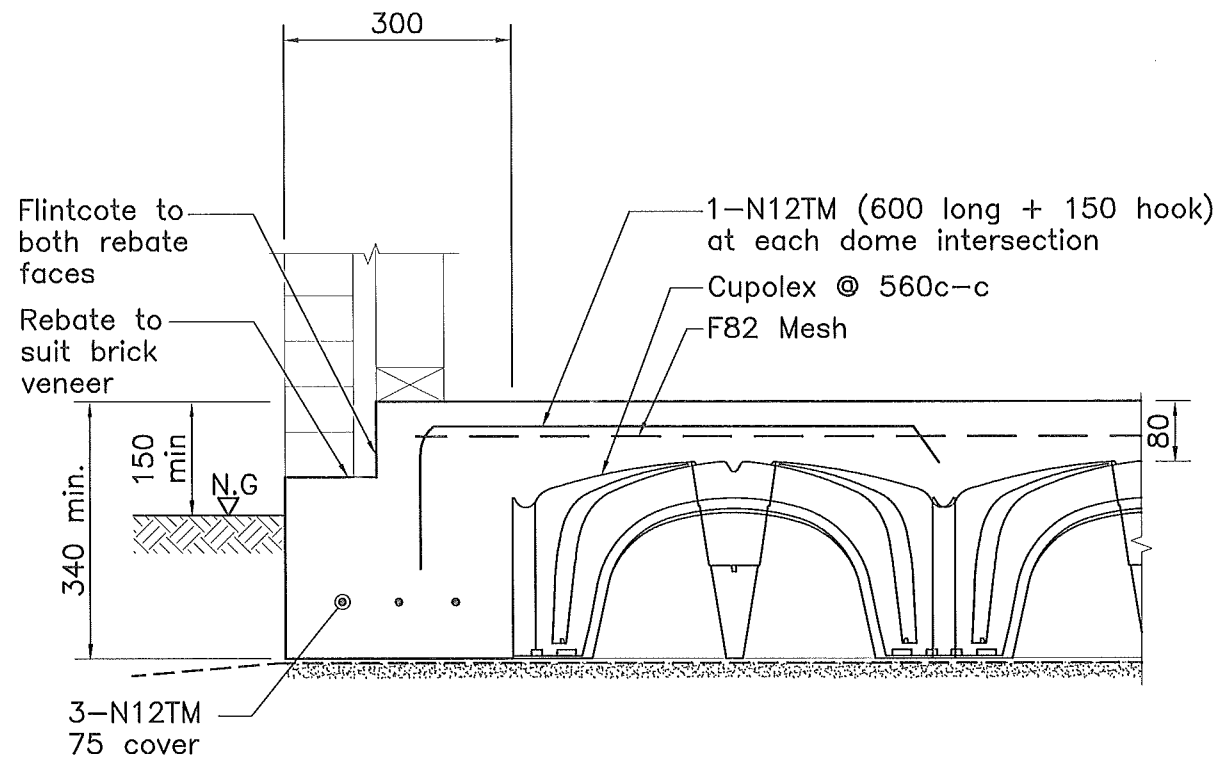
DRAWING TITLE:
CUPOLEX SLAB
FOUNDATION LAYOUT

JOB No:
C-----
 DRAWN:
K.P.

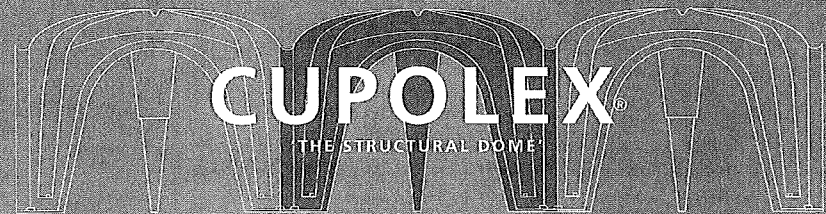
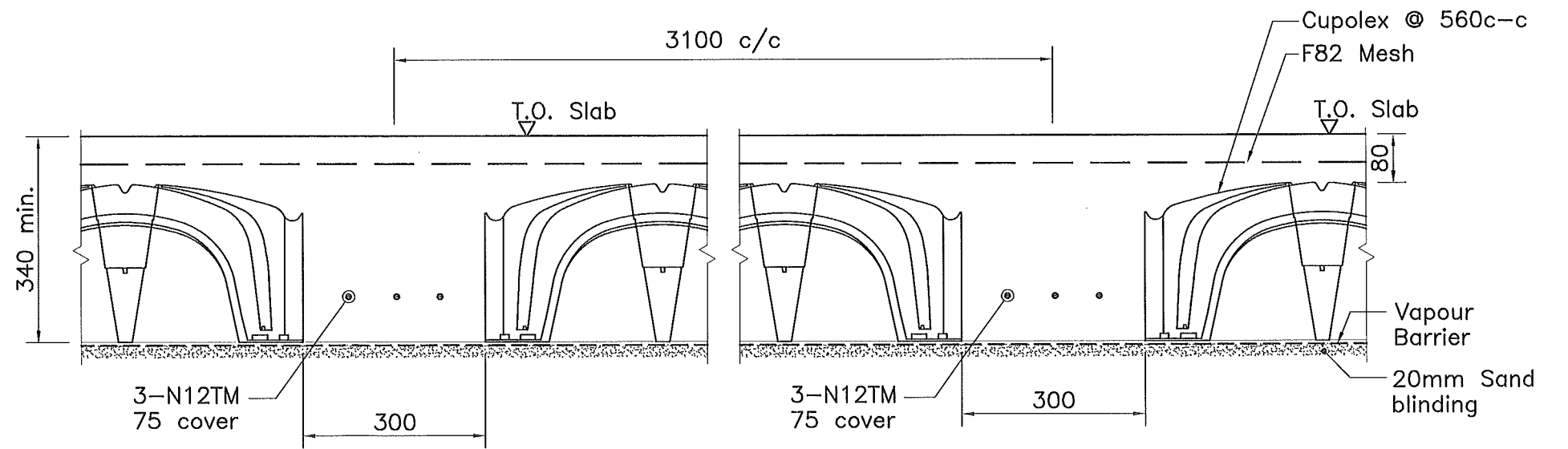
SHEET:
S100
 DATE:
30/11/10

REVISION:
0
 SCALE:
1:100

F1



F2



PROJECT:
STANDARD DESIGN
HIGHLY H1 40< Ys<50mm

DRAWING TITLE:
CUPOLEX SLAB
FOUNDATION DETAILS

JOB No:
C-----
DRAWN:
K.P.

SHEET:
S101
DATE:
30/11/10

REVISION:
0
SCALE:
1:100